

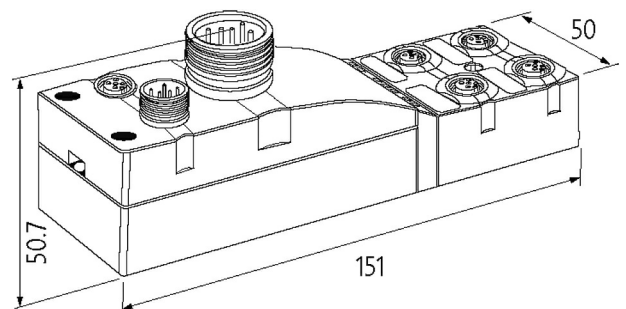
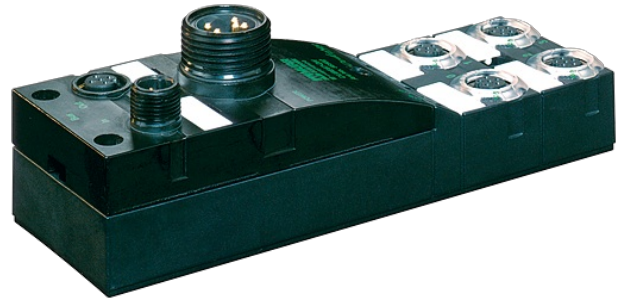
## CUBE67 BUS NODES

Profibus DP

PROFIBUS DP

Connection cables are in the online shop under "Connection Technology".  
Housing fully potted.

### Illustration



Product may differ from Image

### Approvals



### More Info



### Connections

Fieldbus	PROFIBUS 12 Mbit/s; M12, B-coded
Sensor-system/actuator supply	7/8", 5-pole, 2x max. 8 A
Internal system connection	M12, 6 pole; max. 4 A

### General data

Protection	IP67
Mounting method	2-hole screw mounting
Temperature range	0...+55 °C (storage temperature -20...+75 °C)
Dimensions H×W×D	151×50×50.3 mm

### Module supply

Operating voltage	24 V DC (EN 61131-2)
-------------------	----------------------

Current consumption	max. 120 mA
---------------------	-------------

**PROFIBUS**

Addressing	Rotary switch 0...99
------------	----------------------

**Cube system**

Module capacity	max. 16
-----------------	---------

**Diagnostic**

Communication status	via LED and BUS
----------------------	-----------------

Diagnostic via LED	per module and channel
--------------------	------------------------

Diagnostic via BUS	per module and channel
--------------------	------------------------

Monitoring - under voltage	yes
----------------------------	-----

Monitoring - no voltage	yes
-------------------------	-----

Short-circuit and overload	yes
----------------------------	-----

**Commercial data**

country of origin	DE
-------------------	----

customs tariff number	85389099
-----------------------	----------

EAN	4048879048736
-----	---------------

eClass	27242608
--------	----------

Packaging unit	1
----------------	---